

MC-5300

SPECIFICATION SHEET

COPPER

gutter clean

SYSTEM



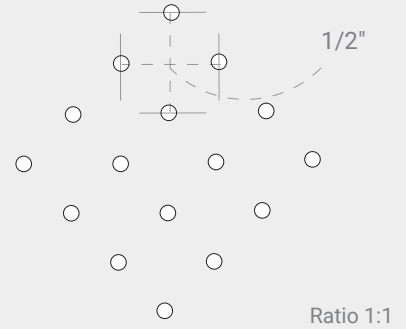
GUTTER PROTECTION FOR 5 IN. GUTTERS

PRODUCT

- Product for existing rain gutters
- Protects from leaves, debris, snow and ice
- Sturdy weatherproof structure
- Prevents leaks
- 25-year anti-clog warranty
- Package contains:
 - 7.5' (2.29 m) x 16 pcs = 120' (36.5 m)
 - 100 stainless steel #6 x 3/8" screws included

PERFORATIONS

- 7/64" (2.8 mm) in diameter
- Drains 29.7" (754 mm) of water per hour
- Offers the perfect balance between maximum drainage and debris protection



COPPER

- Colour: Natural Copper
- Grade: C110 H03
- Thickness: 0.016" (including finish)

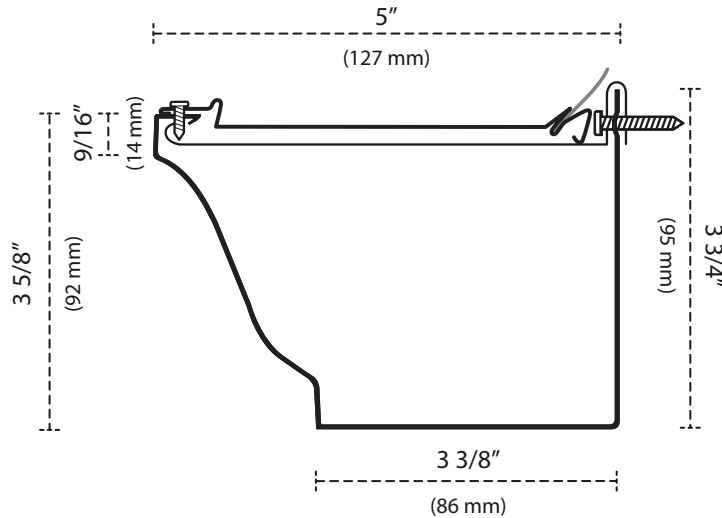


View the results of our independent drainage, resistance, and wind tunnel tests at www.alu-rex.com/en/tests.

Tolerances

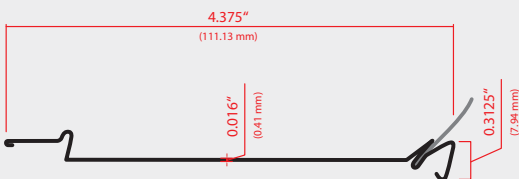
x.xxx" = +/- 0.005" (0.127 mm)
x.xxxx" = +/- 0.0005" (0.0127 mm)

5" GUTTER PROFILE



This product is protected by a number of patents.

PROFILE



COMPATIBILITY

- For installation on copper gutters only.

FLEX SEAL TECHNOLOGY

- Back of the gutter is watertight
- Resistant to UV rays and changes in temperature
- Protection against mold
- Unique patented technology

